

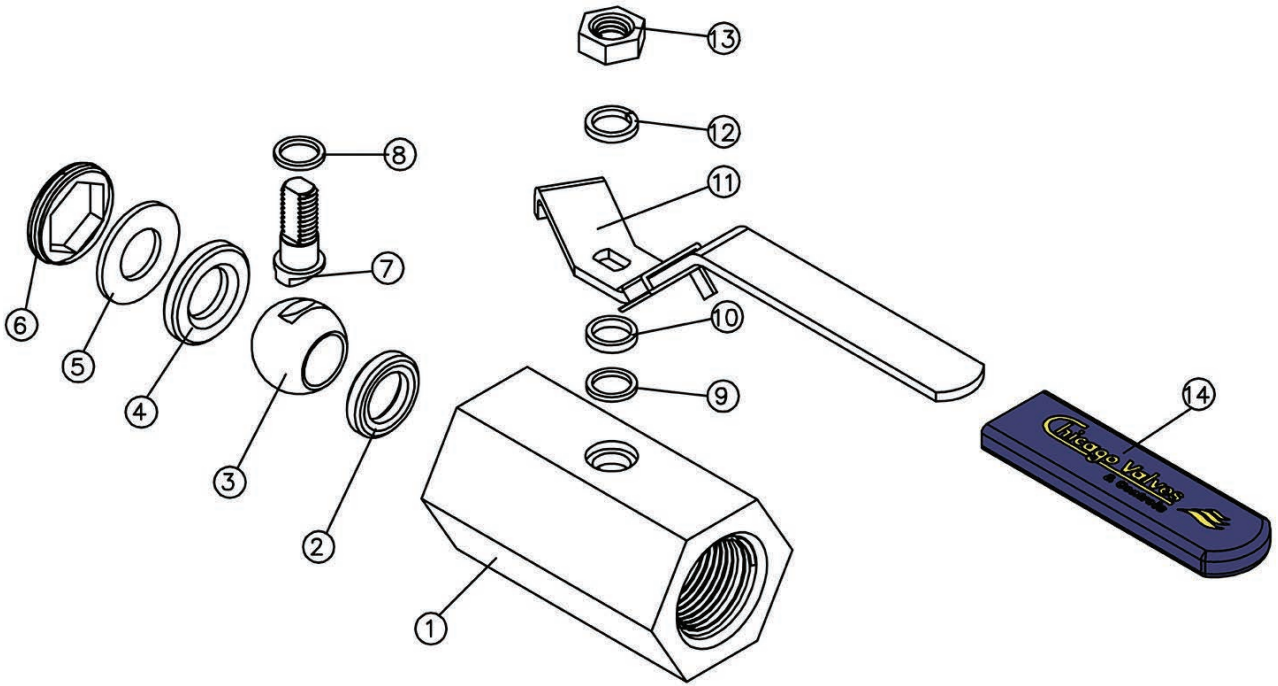
# Chicago Valves & Controls



**SERIES 10**  
**UNIBODY DESIGN THREADED**  
**BALL VALVE**

**2000 CWP**  
**CARBON STEEL ASTM A-105**  
**BLOW-OUT PROOF STEM**  
**VACUUM SERVICE TO 29" Hg**  
**STEAM RATING 150PSI WSP**  
**LOCKABLE LEVER HANDLE**  
**NACE MR1075**  
**ANTI-STATIC DESIGN**

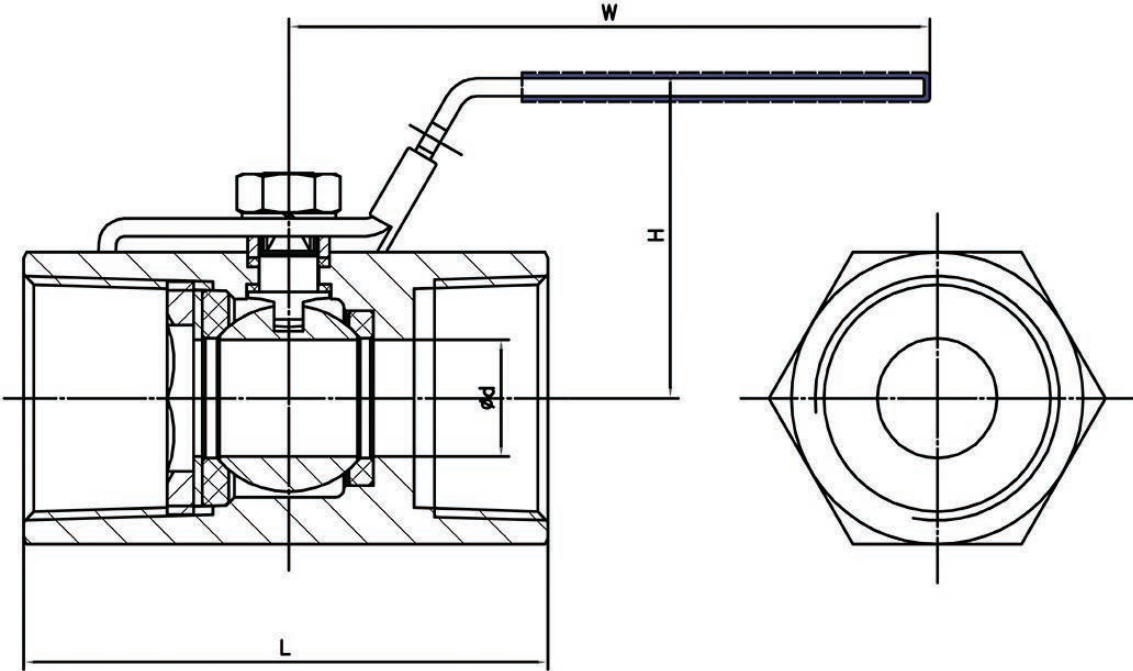
**Series 10**



**PARTS & MATERIAL**

PART NO.	PART NAME	QTY.	MATERIAL
1	Body	1	Forged Steel A105
2	Seat	2	RTFE
3	Ball	1	304 Stainless Steel
4	Washer	1	304 Stainless Steel
5	Seat Retainer	1	304 Stainless Steel
6	Stem	1	304 Stainless Steel
7	Thrust Washer	1	Carbon Fill PTFE
8	Stem Packing	1	PTFE
9	Gland Packing	1	304 Stainless Steel
10	Handle	1	300 Series Stainless Steel
11	Spring Washer	1	300 Series Stainless Steel
12	Handle Nut	1	300 Series Stainless Steel
13	Handle Sleeve	1	PVC

**Series 10**



**DIMENSIONS (INCHES)**

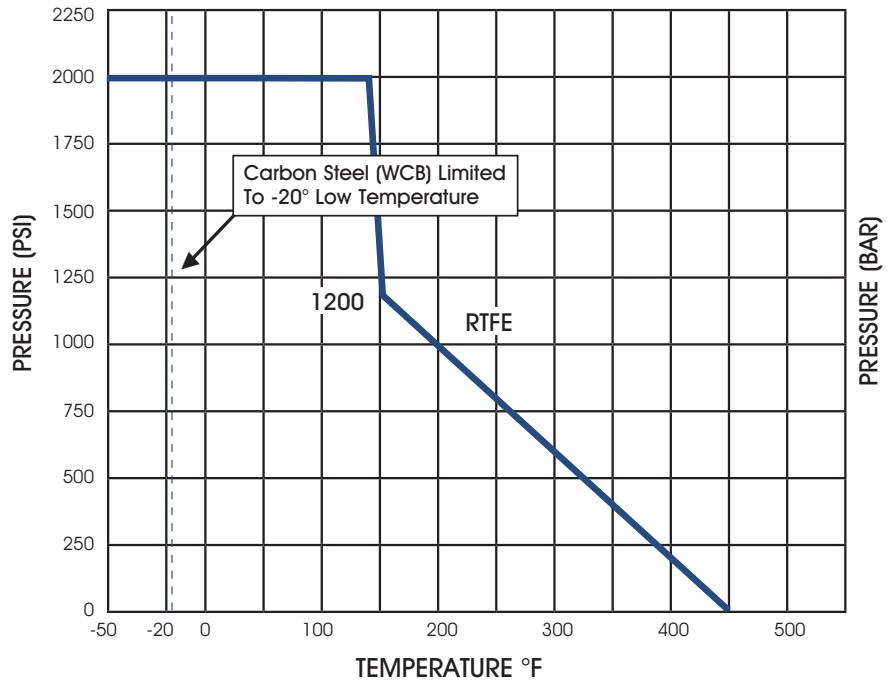
SIZE	d	L	H	W
1/4"	0.20	1.65	1.97	3.94
3/8"	0.28	2.05	2.05	3.94
1/2"	0.35	2.44	2.17	4.72
3/4"	0.74	2.76	2.28	4.72
1"	0.59	3.39	2.36	5.32
1-1/4"	0.79	3.66	2.44	5.91
1-1/2"	0.98	4.02	2.56	5.91
2"	1.26	4.49	2.68	6.30

### APPLICABLE STANDARDS

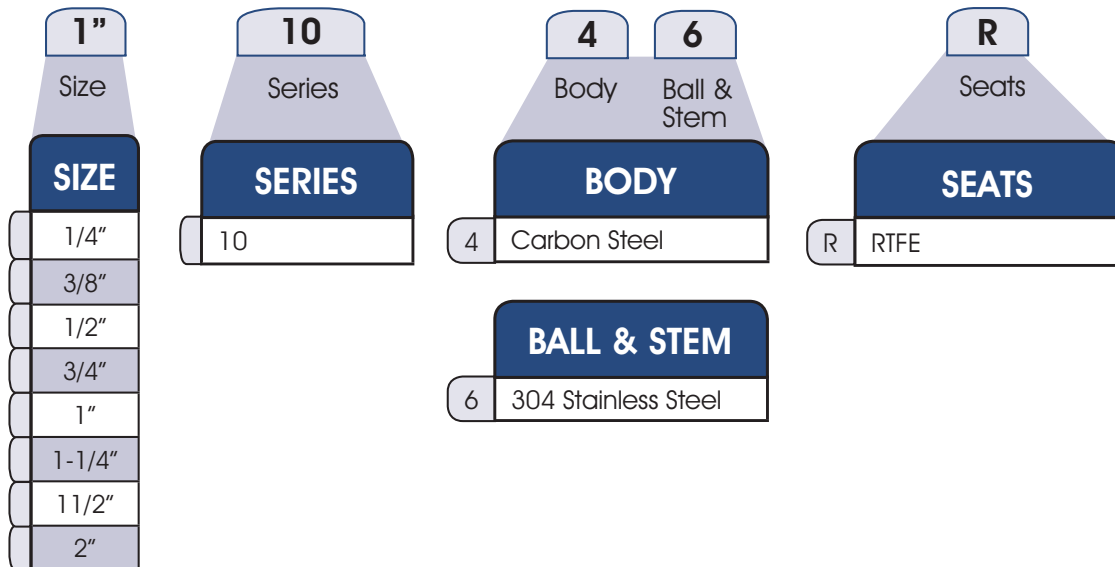
NACE MR-1075	
THREADED ENDS	ASME B16.11

SIZE	CV (GPM)	WEIGHT (LBS)
1/4"	2	0.4
3/8"	2.5	0.5
1/2"	5	0.7
3/4"	10	1
1"	15	1.9
1 1/4"	30	3.1
1 1/2"	50	3.5
2"	70	6.0

### PRESSURE-TEMPERATURE RATINGS SERIES 10



### HOW TO ORDER



**Chicago Valves**  
**& Controls**



Toll-Free (833) 831-2312

Local (312) 637-3557

Fax: (312) 637-3543

E-Mail: [sales@chicagovalves.com](mailto:sales@chicagovalves.com)

[www.chicagovalves.com](http://www.chicagovalves.com)

885 Cambridge Dr.

Elk Grove Village, Illinois 60007 U.S.A.